


**Special Features**

- CE & Atex approved electrical contacts
- Stainless steel case & measuring system
- Filled version available
- Standard followed in general EN 837-1

**Application**

- To control the electrical operation of compressors
- Pumps
- Motors
- Presses
- Hydraulic
- Pneumatic equipments
- Chemicals
- Petrochemical plants

**Specifications**
**Standard Version : 100 mm & 150 mm**

Accuracy	:	±1.0% of F. S.
Ambient temperature	:	- 20°C to + 65°C
Process temperature	:	Max. 100°C
Electric wiring	:	DIN Connector
Contact setting	:	Over on arc of 270° through a knob placed on front of lens
Operating pressure range	:	75% of Scale Value
Over pressure limit	:	Not Suitable

Case & Bezel	:	AISI 304 SS (Bayonet Type)
Bourdon	:	AISI 316L SS
Socket	:	AISI 316L SS (Directly welded to case)
Movement	:	AISI 304 SS
Joints	:	Tig Argon Arc Welding

Protection	:	IP 65
Dial	:	Aluminum, black graduation on white background
Pointer	:	Aluminum, black coloured micrometer zero adjustable
Window	:	Polycarbonate Dome
Electrical Contacts*	:	Refer How to Order
Blow off Disc	:	Neoprene
Gasket & Filling Plug	:	Neoprene

\* Please specify contact set points while ordering.

**Filled version - dielectric oil (option - ZZ)**

Accuracy	:	±1.6% of F. S.
Ambient Temperature	:	Maximum 65°C
Process Temperature	:	+15°C / 65°C
Window	:	Polycarbonate Dome
Blow off Disc*	:	NBR
Gasket & Filling Plug*	:	NBR
Dampening Liquids	:	Dielectric Oil
Other Features	:	Refer Specification of Standard Version

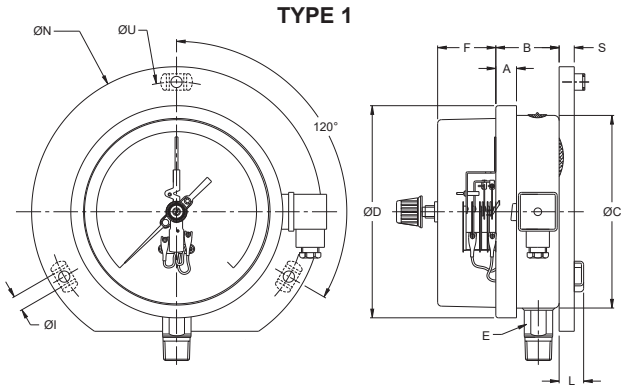
\*BOD, Gasket & Filling plug of Viton.

**Temperature effect:**

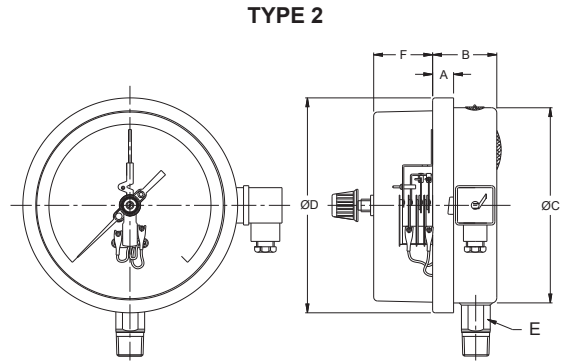
The variation of indication caused by effects of temperature is to be calculated by below formula; which is to be added in the specified accuracy while measurement :- Formula :  $\pm 0.04 \times (t_2 - t_1) \%$  of F. S. where  $t_1$  = reference temperature (+20°C) and  $t_2$  = ambient temperature in °C.

Note : The addition of mechanical electric contacts affects the accuracy of instruments such that 1% becomes 1.5%, 1.6% becomes 2.4% etc. (Add the 50% of accuracy; If the contact is of the magnetically assisted type, this value can't be added within the ±5% of setting point.)

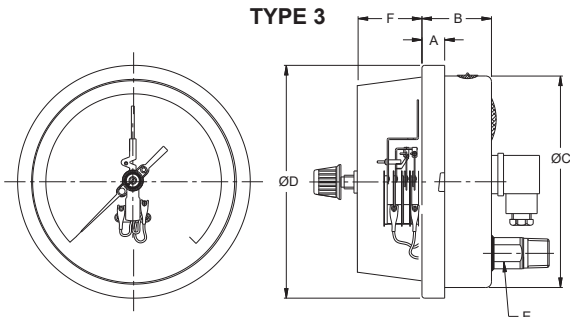
**Dimensions - standard version**



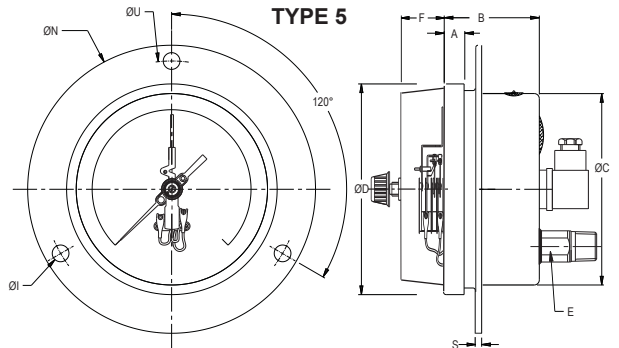
NS	A	B	ØC	ØD	E	F	ØI	ØN	ØU	L	S	Weight in gram (With Box)	
100	12.5	45	100	111	22	44	6	134	118	14.5	6	890.0	
150	15	4	6.5	149	161	22	44	6	186	168	14.5	6	1370.0



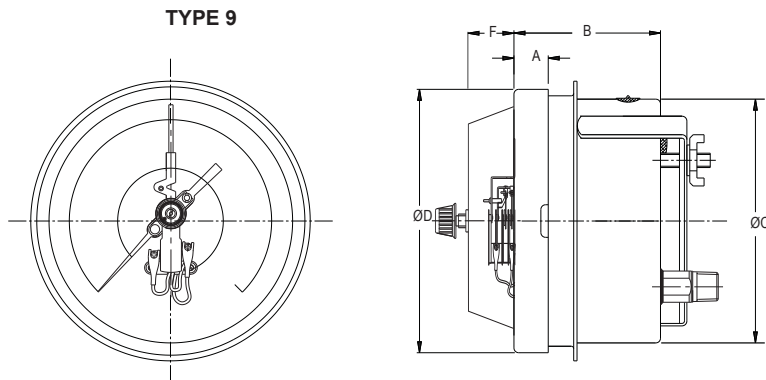
NS	A	B	ØC	ØD	E	F	Weight in gram (With Box)
100	12.5	47	100	111	22	44	800.0
150	15	49	149	161	22	44	1200.0



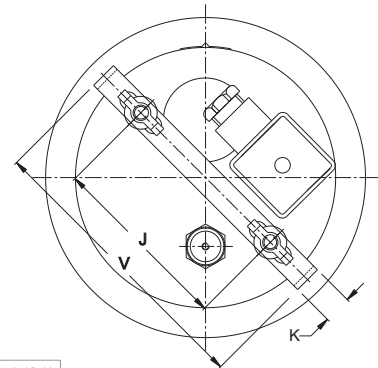
NS	A	B	ØC	ØD	E	F	Weight in gram (With Box)
100	12.5	47	100	111	22	44	790.0
150	15	49	149	161	22	44	1140.0



NS	A	B	ØC	ØD	E	F	ØI	ØN	ØU	Weight in gram (With Box)
100	12.5	47	100	111	A/F 22	44	6	134	118	860.0
150	15	49	149	161	A/F 22	44	6	186	168	1300.0



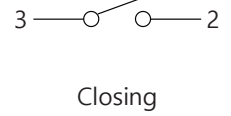
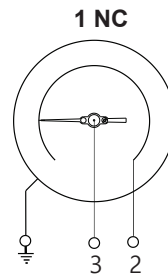
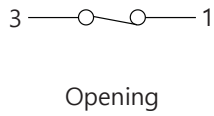
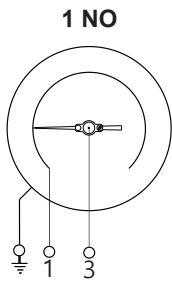
NS	A	B	ØC	ØD	E	F	J	K	V	Weight in gram (With Box)
100	12.5	47	100	111	A/F 22	44	72	16	108	870.0
150	15	49	149	161	A/F 22	44	106.5	16	166	1240.0



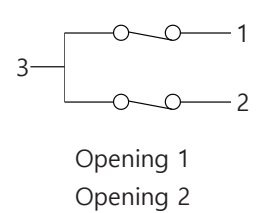
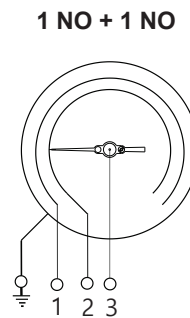
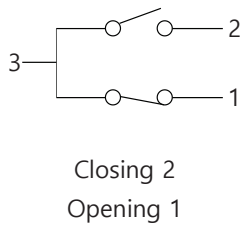
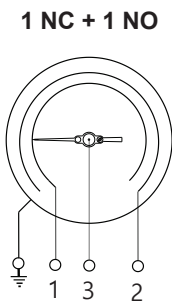
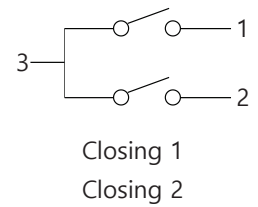
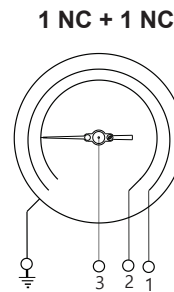
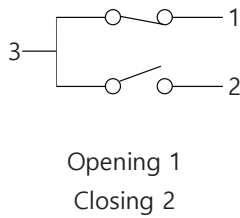
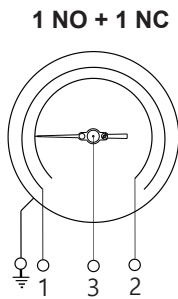
**Range Table**

**Wiring diagrams for electric contacts**

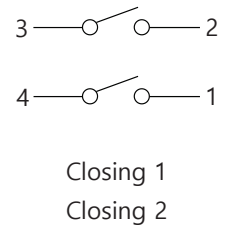
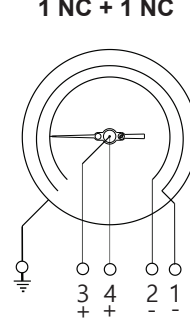
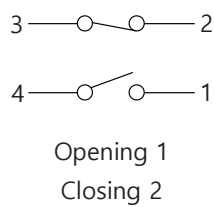
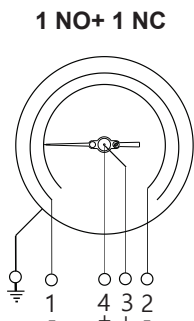
**Single Contact**



**Double contact**



**Independent double contact**



**Range Table**

Note : We offer Pressure, Vacuum and Compound ranges in Scales like kPa, MPa, bar, psi, kg/cm<sup>2</sup> & Dual Scale like kPa with psi, kPa with bar, bar with psi or scales as per the requirement can be provided on request. Following are the example tables for kg/cm<sup>2</sup> & psi scales

**Pressure & Compound**

Pressure - single scale (kg/cm <sup>2</sup> or bar)				Compound - single scale (kg/cm <sup>2</sup> or bar)	
0/1.6	0/10	0/60	0/400		
0/2.5	0/16	0/100	0/600		-1/5
0/4	0/25	0/160	0/1000		-1/9
0/6	0/40	0/250	0/1600		-1/15

**Dual scale (psi with kg/cm<sup>2</sup> )**

psi	kg/cm <sup>2</sup>	psi	kg/cm <sup>2</sup>	psi	kg/cm <sup>2</sup>	psi	kg/cm <sup>2</sup>
0/25	0/1.6	0/220	0/16	0/1500	0/100	0/10000	0/700
0/35	0/2.5	0/300	0/20	0/2200	0/160	0/15000	0/1000
0/60	0/4	0/400	0/28	0/3000	0/200	0/22000	0/1600
0/100	0/7	0/600	0/40	0/4000	0/280		
0/150	0/10	0/1000	0/70	0/6000	0/400		

**Accessories (Refer Datasheet for complete specifications)**

<b>EB</b> Cooling tower	<b>ED</b> Over load protector (gauge saver)**	<b>EG</b> Snubber
<b>EC</b> Gauge cock	* Needle valve	<b>EH</b> Siphon

\* Refer catalogue for Valves & Manifolds

\*\* For Pressure Ranges.

How To Order				Example
<b>Basic Model</b>				BJ
<b>Code</b>				
<b>Nominal Size</b>	<b>F</b>	<b>H</b>		X
	100 mm	150 mm		
<b>Type of Mounting</b>				
<b>1</b>	Wall, surface, projection mounting with bottom entry	<b>5</b>	Flush panel back entry with front flange	X
<b>2</b>	Direct bottom entry	<b>9</b>	Back entry with mounting bracket	
<b>3</b>	Direct lower back entry			
<b>Electric Contacts (CE &amp; Atex approved)</b>				
<b>A) Single insulated magnetic snap action type (230 V AC, 1 Amp.)(48 V DC, 0.5 Amp.)</b>		<b>B) Inductive type (220 V AC, 0.4 Amp.)</b>		
<b>RJ</b>	Single; normally closed (1 NC)	<b>YW</b>	Single; normally open (1 NO)	XX
<b>RK</b>	Double; normally closed + normally open (1 NC + 1 NO)	<b>YV</b>	Single; normally closed (1 NC)	
<b>RL</b>	Single; normally open (1 NO)	<b>YX</b>	Double; normally closed + normally open (1 NC + 1 NO)	
<b>RM</b>	Double; normally open + normally closed (1 NO + 1 NC)	<b>YY</b>	Double; normally open (both NO)	
<b>RN</b>	Double; normally closed (both NC)	<b>YZ</b>	Double; normally closed (both NC)	
<b>RO</b>	Double; normally open (both NO)	<b>ZA</b>	Double; normally open + normally closed (1 NO + 1 NC)	
<b>RU</b>	Booster with relay for current upto 5 Amp.			
<b>RA</b>	SPDT			
<b>RC</b>	DPDT			
<b>Gauge Connection</b>				
<b>3BM</b>	3/8" BSP (M) Standard	<b>2NM</b>	1/4" NPT (M)	XXX
<b>4BM</b>	1/2" BSP (M) Standard	<b>4NM</b>	1/2" NPT (M) Standard	
		<b>4TM</b>	1/2" BSPT (M)	
		<b>4MM</b>	M20 x 1.5 (M)	
<b>Note : Connections like Metric/ PT/ PF/ Flaired/ UNF/ G/ R etc can be provided on request.</b>				
<b>Range</b>				0/10 kg/cm <sup>2</sup>
Refer range table				
<b>Options</b>				
<b>TI</b>	Monel bourdon & socket (Monel version)**	<b>TF</b>	Conformity as per NACE standard	XX
<b>PS</b>	AISI 316 SS case & bezel*	<b>RH</b>	Custom designed dial##	
<b>PW</b>	Five point calibration certificate	<b>QB</b>	Integral dampening screw (AISI 316 SS)	
<b>ZZ</b>	Dielectric oil filled#	<b>FL</b>	Integral dampening screw (Monel)**	
<b>SX</b>	SS tag plate	<b>SA</b>	Internal overpressure stop	
<b>SW</b>	Dial tag marking	<b>SB</b>	Internal vacuum stop	
<b>TB</b>	Helium leak test	<b>SF</b>	Movement with dampening jelly	
<b>GH</b>	Material test certificates***			

\* Consult factory for minimum order quantity & delivery. # BOD, gasket & filling plug of Viton.

\*\*Integral dampening screw will be in monel if ordered. Refer option FL. ## Consult factory for dial design approval.

\*\*\* Material test certificates will be provided for wetted parts only with chemical composition testing. For others, Please consult factory.

**Ordering Example: BJ . X . X . XX . XXX . 0/10kg/cm<sup>2</sup> . XX**

For other optional items, please contact factory for delivery and minimum quantity of order.

Note : Specifications and dimensions given in this product catalogue represents the state of engineering at the time of printing .

Modifications may take place and materials specified may be replaced by others without prior notice.